

WARNINGS & SAFETY INFORMATION:

PLEASE READ CAREFULLY AND KEEP A COPY ON PROPERTY FOR FUTURE REQUIREMENTS!

General Safety Information

- To reduce the risk of death, personal injury or property damage from fire, electric shock, falling parts, cuts/abrasions, and other hazards read all warnings and instructions included with and on the fixture box and all fixture labels.
- Before installing, servicing, or performing routine maintenance upon this equipment, follow these general precautions.
- Commercial installation, service and maintenance of luminaires should be performed by a qualified licensed electrician.
- For Residential installation: If you are unsure about the installation or maintenance of the luminaires, consult a qualified licensed electrician and check your local electrical code.
- DO NOT INSTALL DAMAGED PRODUCT!
- This fixture is intended to be connected to a properly installed and grounded UL listed junction box.

WARNING:

RISK OF ELECTRICALSHOCK

- Turn off electrical power at fuse or circuit breaker box before wiring fixture to the power supply.
- Turn off the power when you perform any maintenance.
- Verify that supply voltage is correct by comparing it with the luminaire label information.
- Make all electrical and grounded connections in accordance with the National Electrical Code and any applicable local code requirements.
- All wiring connections should be capped with UL approved wire connectors.

CAUTION:

RISK OF INJURY

- Wear gloves and safety glasses at all times when removing luminaire from carton, installing, servicing or performing maintenance.
- Avoid direct eye exposure to the light source while it is on.
- Account for small parts and destroy packing material, as these may be hazardous to children.

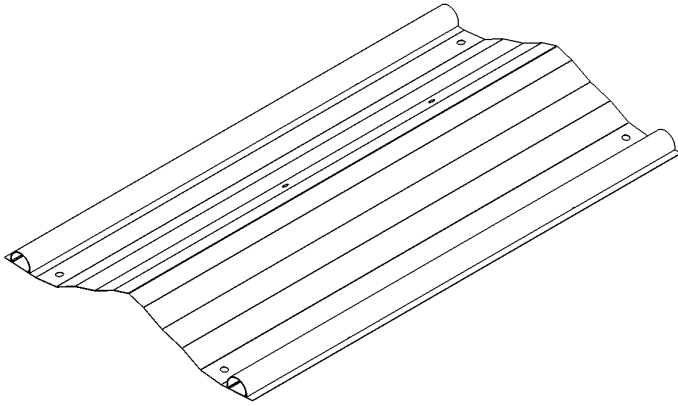
CAUTION:

RISK OF FIRE

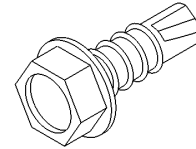
- Keep combustible and other materials that can burn away from luminaire and lamp/lens.
- MIN 90°C SUPPLY CONDUCTORS.

Illustrations are for installation purposes only. They may not match completely the fixture purchased as we are making continuous improvements. Consult either website or factory if you should have any questions.

Prior to installation, verify that you have all components below.



eNVe 2x2 shown with optional lenses (QTY 1)

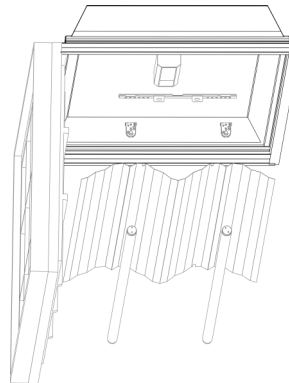


#8 x 1/2" SELF DRILLING SCREW
(QTY—5)

1 PREPARE EXISTING FIXTURE FOR INSTALLATION—Prior to installation, DISCONNECT ALL INCOMING POWER TO FIXTURE, remove all electrical parts and the ballast compartment cover leaving only the supply and grounding leads.

REMOVE EXISTING:

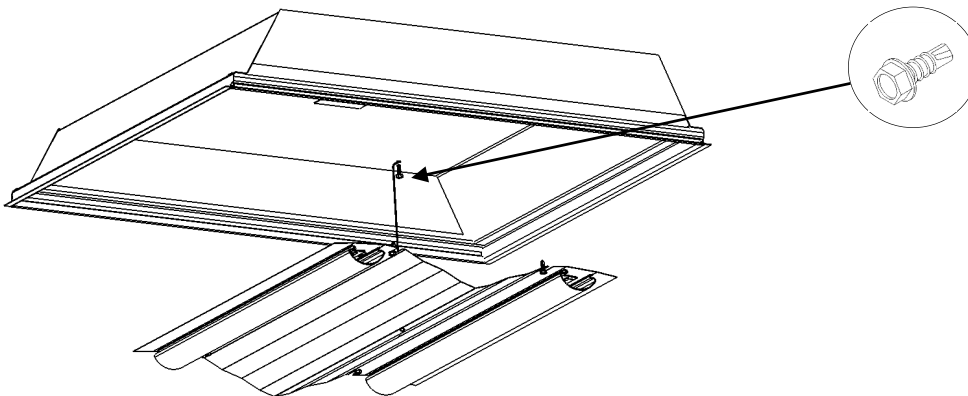
- REFLECTORS / BALLAST COVERS
- BRACKETS
- LAMPS / LAMP HOLDERS



PLEASE PROPERLY DISPOSE OF LAMPS AND REMOVED COMPONENTS

ENERGY PLANNING ASSOCIATES

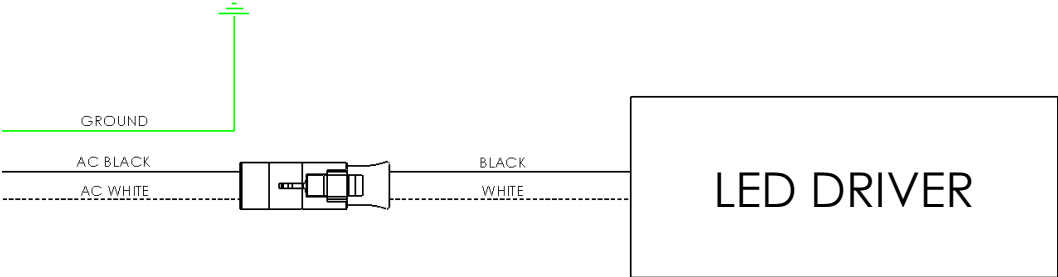
2 INSTALL TETHER—Attach tether to troffer body using the provided #8 x 1/2 SELF DRILLING SCREW



eNve 6™



3 **CONNECT DRIVER TO MAIN FEED**—Connect the LED DRIVER to main feed using the provided yellow ballast disconnect. Refer to diagram below for correct wiring procedure.



4 **INSTALL KIT IN TROFFER BODY**—Using provided #8 x 1/2 SELF DRILLING SCREWS, install kit into troffer body as shown below.

