

# ANGLE LED™



## INTRODUCTION

The ANGLE-LED™ luminaire is an LED lighting fixture designed to replace fluorescent lay-in T-Bar grid troffers in commercial, institutional, and retail applications. The ANGLE-LED™ features provide highly efficient low glare lighting, extreme power savings, along with low installation and maintenance costs. The sleek profile, flexible design features, and simple mounting process make the ANGLE-LED™ a perfect choice for architects, engineers, contractors and end users.

## CONSTRUCTION

Punched and formed sheet steel housing with robust end beams and reinforced side rails. Post painted powder coat matte white finish. Electrical components are affixed to a top mounted removable tray complete with quick wire splice plate.

## SOFT OPTICS

Extruded PMMA custom obscure diffusers are mounted to rigid posts by pinching ends and fitting lens grooves over posts. Translucent lens provides high efficiency with soft volumetric distribution suitable for typical office usage. Angled side reflector panels offer pleasing aesthetic.

## PERFORMANCE

ANGLE-LED™ luminaires offer >90 Lumens/Watt; CRI >80; THD <10%; PF >99. Projected life beyond 100,000 hours. LED modules and drivers are offered with a standard 5-year warranty based on performance under normal conditions (consult warranty for details).

## FLEXIBLE ELECTRICAL

Standard Features:

- For Canada 120/277/347/480V power input is standard.
- For USA 120/277V power input is optional.
- 0-10V DC Dimming Drivers.

## MOUNTING

Holes are provided on four corners for suspension to ceiling if required. Bend out T-Bar clips for earthquake protection are also built into the housing. Means of suspension by others.

## COMPLIANCE

The ANGLE-LED™C is cETLus listed for damp locations and -20°C to +40°C ambient environments. DLC approved and RoHS compliant. LED modules comply with IESNA LM-79 and LM-80 standards.

NOTE: Specifications subject to change without notice.



SO 9001 : 2008



## NOMENCLATURE

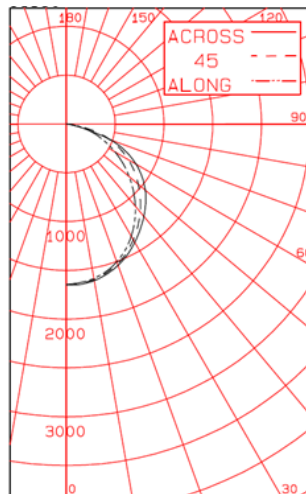
FAMILY SERIES	SIZE	LAMP PROFILE	COLOR TEMP	VOLTAGE	OPTIONS
A = ANGLE-LED™	LL = 2' x 4' LOW LH = 2' x 4' HIGH ML = 1' x 4' LOW M = 1' x 4' HIGH SL = 2' x 2' LOW SH = 2' x 2' HIGH	1 = Single Lamp 2* = Two Lamp	3 = 3000 35 = 3500 4 = 4000 5 = 5000 6 = 6500	BLANK = 120/277 C = 120/277/347/480	S = HIDDEN SENSOR PRE-INSTALLED BCA** = BELOW CEILING ACCESS

\*TWO LAMP PROFILE ONLY OFFERED IN "L" & "S" SIZES.

\*\*ONLY OFFERED IN TWO LAMP PROFILE

### LUMEN & POWER TABLE

MODEL	LUMENS	WATTS		LPW	
		120/277/347/480V	120/277/347/480V	120/277/347/480V	120/277/347/480V
ASL14	3491	38/37/40/40	38/37/40/40	92/94/86/87	92/94/86/87
ASL135	3421	38/37/40/40	38/37/40/40	90/92/85/86	90/92/85/86
ASH14	3612	40/39/42/42	40/39/42/42	90/93/85/86	90/93/85/86
ASH135	3539	40/39/42/42	40/39/42/42	88/91/83/84	88/91/83/84
AML14	3767	38/37/40/40	38/37/40/40	100/102/94/95	100/102/94/95
AML135	3691	38/37/40/40	38/37/40/40	98/100/92/93	98/100/92/93
AM14	4267	45/44/48/48	45/44/48/48	94/97/89/90	94/97/89/90
AM135	4181	45/44/48/48	45/44/48/48	93/95/87/88	93/95/87/88
ALL14	3799	38/37/40/40	38/37/40/40	103/106/97/98	103/106/97/98
ALL135	3722	38/37/40/40	38/37/40/40	101/103/95/96	101/103/95/96
ALH14	4508	45/44/48/48	45/44/48/48	100/102/94/95	100/102/94/95
ALH135	4417	45/44/48/48	45/44/48/48	98/100/92/93	98/100/92/93
AS24	6981	76/74/81/80	76/74/81/80	94/96/88/89	94/96/88/89
AS235	6842	76/74/81/80	76/74/81/80	92/94/87/88	92/94/87/88
ALL24	4185	38/37/40/40	38/37/40/40	111/114/105/106	111/114/105/106
ALL235	4117	38/37/40/40	38/37/40/40	109/112/103/104	109/112/103/104
ALH24	7534	75/74/80/79	75/74/80/79	100/102/94/95	100/102/94/95
ALH235	7212	75/74/80/79	75/74/80/79	96/98/90/91	96/98/90/91



Contact your local supplier or representative or call J2 Light Inc. direct at: **1.866.GREEN.16 (473.3616)** [J2LIGHT.com](http://J2LIGHT.com)

**EFFICIENT. CLEAN. AFFORDABLE.**